

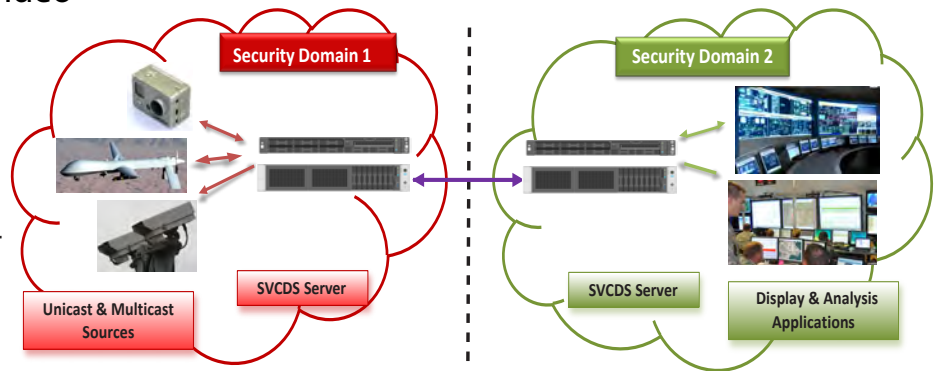
CROSS DOMAIN STREAMING VIDEO GUARD

TRIDENT SYSTEMS

SVCDS: STREAMING VIDEO CROSS-DOMAIN SOLUTION

Full Filtering and Sanitization of Video

- Filters each packet in a video stream before transfer across domains
- Meets NSA's "Raise the Bar" standard for realtime cross domain video transfer



- Assured Pipeline Architecture protects sensitive information and minimizes covert channels
- Base configuration supports at least 20 simultaneous HD video streams for a two domain transfer
- The number of total streams supported will scale incrementally with additional hardware
- Designed to meet rigorous DoD & National Security Agency (NSA) standards
- Uses Trident's V2CDS (Voice & Video Cross Domain Solution), the only VoIP CDS on the NCDSMO Baseline and the only CDS certified by NSA for SABI to filter audio / video streams

CROSS-DOMAIN • REAL-TIME • STANDARDS BASED

SVCDS TRIDENT

Streaming Video Cross Domain Solution (SV CDS)

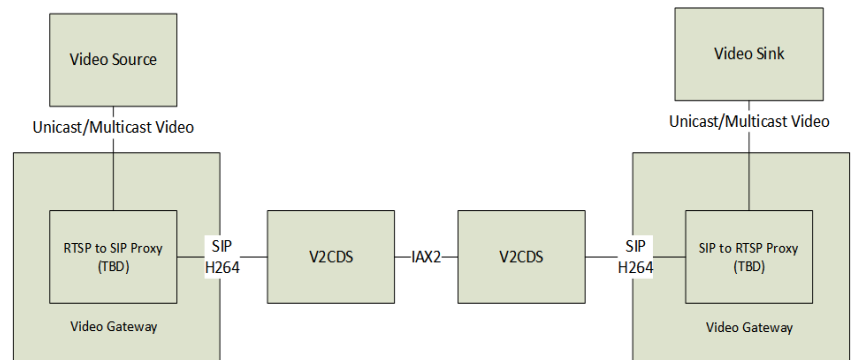
Trident System's Streaming Video Cross Domain Solution (SV CDS) delivers real time video communications across network security boundaries. SV CDS reduces covert channels to an acceptable risk, while simultaneously maintaining point-to-point video capability.

Need and Value

The balance between protecting and sharing critical information has never been more crucial than in today's Joint and Coalition military environment. There is a need to disseminate video sources including everything from UAVs to GoPro's to higher echelons throughout the DoD and Intelligence Community (IC). However, the current infrastructure between armed forces creates communities of users who frequently are unable to share this information in real time outside of their network or security domains, requiring manual inspection and transfer. Until now...

Security and Certification

- Enforces two network interface cards (NIC) configuration for two IP subnets to maintain separate CDS internal networks
- Complies with multiple Risk Decision Authority Criteria (RDAC) mitigations and National Institute of Standards and Technology (NIST) Special Publication 800-53 security controls
- Mitigates covert transmission of information over video through real-time security filtering
- Provides accountability mechanisms, including monitoring of video for playback and auditing purposes
- Maintains strict packet handling conformance to industry standards while protecting against protocol exploits



Features

- Video Transcoding (Encode/Decode)
- Supports MPEG-2, MPEG-4, H.263, H.263+, H.264 feeds
- Supports IP/UDP (Unicast, Point to Point), RTP, and SRTP
- Multicast support between video source and sinks to/from Video Gateway
- Supports transfer latency of 20 ms or less across the CDS with the mandated filtering and transcoding as required by the SABI process

Contact Us: ACS@tridsys.com

Because we are constantly improving our products, these specifications are subject to change without notice.
Copyright (c) 2018 Trident Systems Incorporated. All rights reserved.

02.28.2018

TRIDENT

www.tridsys.com

10201 Fairfax Blvd, Suite 300, Fairfax, VA 22030 Tel: 703.273.1012