

ON-BOARD PROCESSING AND DIGITAL RF TRANSCEIVER DEVELOPMENT KITS

A Trident development platform with lab-standard interfaces utilizing flight-like hardware. Pre-loaded with Trident Firmware and Software for application development and testing. On-site and remote support available with each kit.

Customizable Development Kits

Trident VDRT Development Kits are lab-based development platforms, preloaded with Trident FW/SW (source files included), for application development, testing, and HWIL demonstrations on Trident Hardware. Compatible with Tridents 3U VPX modules, the kits provide operational and developmental interfaces to flight-like hardware with "lab-friendly" interfaces. These kits are a low-cost, rapidly available platform for new and existing customers. Customization available.

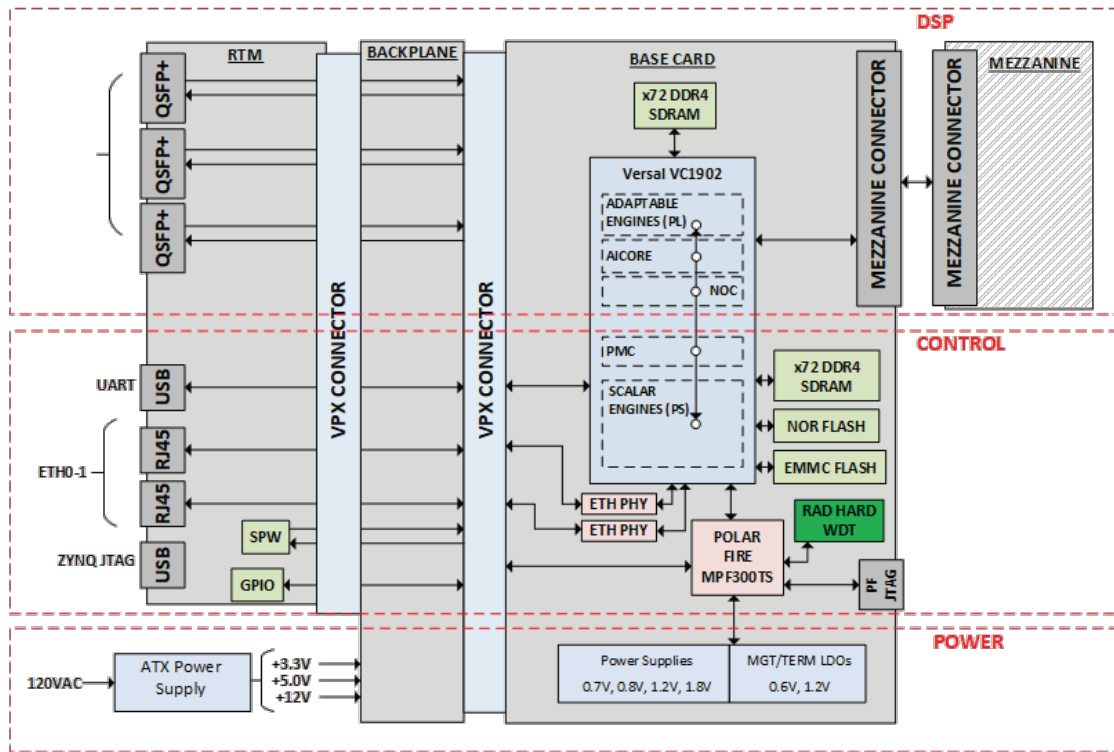
Rapid Response Methodology

Development Kits are an integral part of Trident's Rapid Response methodology which enable our customers on fast-paced, cost constrained, modern space programs.



Lab Development on
Trident Flight-Like
Hardware

SPN-06335 VDRT DEV KIT SPECIFICATIONS



SPN-06355 VDRT DevKit Specifications

- Integrated VDRT EDU with XCVC 1902-1MSIVIVA1596 with flight and developmental interfaces
 - Two (independent) 8GB DDR4 Memory Banks w/ ECC
 - Up to 32GB of NAND Flash, 256MB Redundant NOR Flash
 - Two PS Ethernet (RJ45)
 - Three Zynq GTY Quad (QSF+)
 - Two (2) Zynq UART connections (USB)
 - Zynq JTAG (USB)
 - 1 Pulse Per Second (SMA)
 - Discrete boot and power control
 - 1 TB SSD on mezzanine site optional



Included Source Files and Docs

- Trident Yocto Layer BSP
- Example Vivado Project
 - NOC configuration (DRAM / Interconnect)
 - AICore Demo
 - Processor configuration
- Pin constraints for the entire chip (XDC)
- Engineering GUI and C2 GUI for Flight SW
- HW User Manual and Documentation

SWaP

- Benchtop or 19" rack-mountable (3U height)
- 120 VAC (Integrated Power Supply)
- ~8 kg, shipped in protective storage container

Rapid Availability

- Summer-2022
- On-site and remote support available
- Kit Customization is available for additional interfaces and other mezzanine cards

Contact Us: ES-BD@tridsys.com